

AIR CONDITIONER 6000 6,000 BTU/HR. AIR CONDITIONER

DANTHERM's line of Air Conditioners is specifically designed for the removal of heat from cabinets containing temperature-sensitive electrical, electronic, or telecommunications equipment. Closed-loop cooling maintains a clean, sealed internal environment to ensure optimum performance and maximum service life of the enclosed electronics, while protecting against the intrusion of airborne contaminants and humidity.

FEATURES AND BENEFITS

Standard Features

- Closed-loop cooling to prevent ingress of environmental contaminants
- Available in 115VAC and 230VAC
- Designed for electronics cooling with high ambient temperatures - operates to 55°C/131°F
- Integrated Dantherm USACG-6 controller
- High-quality, high-performance, high-pressure drop BCI fans
- Easy access to critical components for better service
- Bottom intake allows for reduced noise and better protection from contaminants
- Environmentally-friendly R134A refrigerant
- Compact mono-block unit for easy installation in indoor and outdoor applications

Optional Features

- Ambient filter
- Power plugs
- Optional heater available
- Stainless steel material and custom paint finishes available
- Extended warranty & maintenance packages

Closed-Loop Cooling

The closed-loop internal circuit protects the enclosed equipment from heat and airborne contaminants in all types of hostile environments. The creation of a controlled environment allows the enclosed equipment to operate under the best possible temperature and environmental conditions.

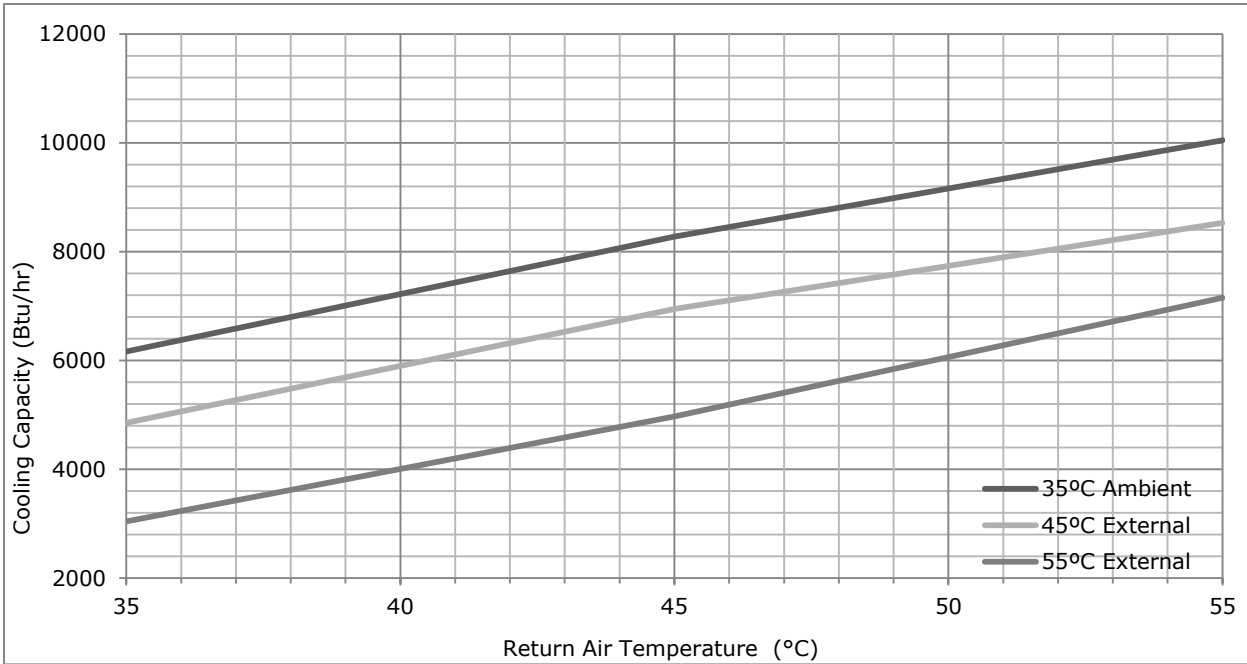
Applications

- Radio base stations
- Telecom shelters
- Indoor & outdoor cabinets and enclosures
- Power supply cabinets, Battery cabinets and Rectifier cabinets
- Network switching rooms, Computer rooms
- Automation control cabinets, Process control centers
- Machine cooling & CNC machines
- Drive cabinets, Turbine control cabinets
- Digital advertisement boards, Kiosk display systems

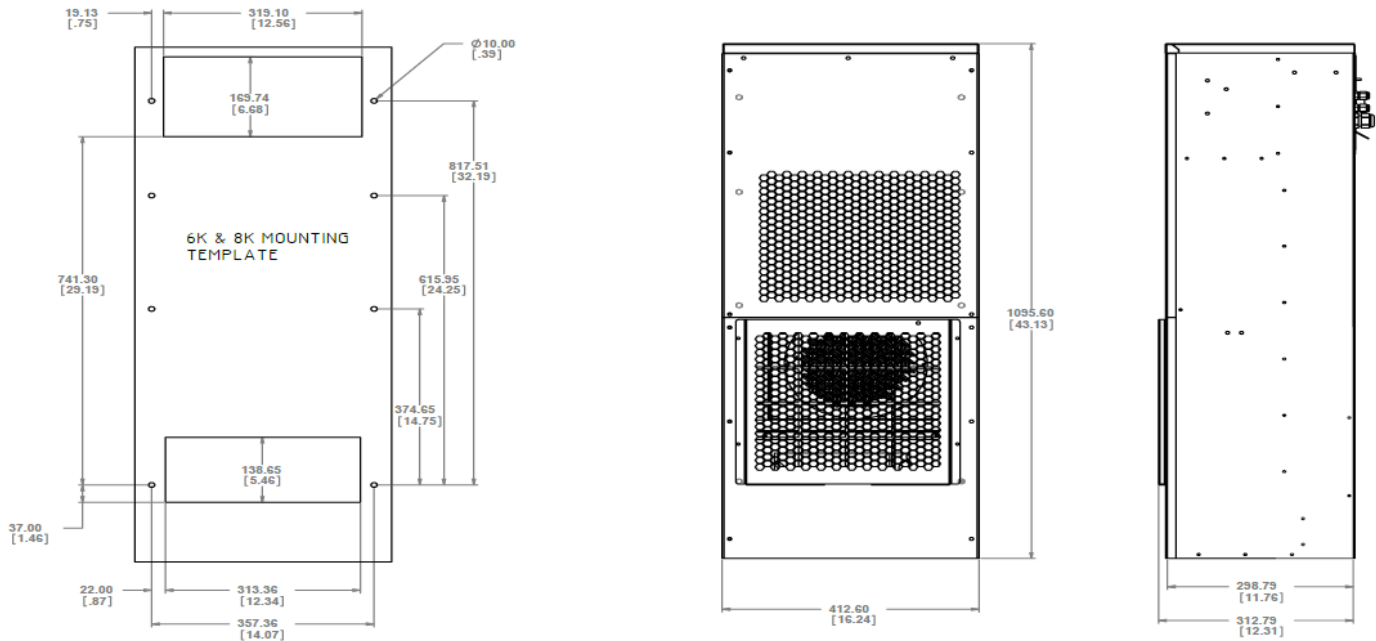
TECHNICAL DATA
6,000 BTU/HR. AIR CONDITIONER

General			
Model number		iA/C T-A6000	iA/C-T-B6000
Mounting method		Outdoor	
Unit dimensions (height×width×depth)	Inch [mm]	43x16x12[1092.2x406.4x304.8]	
Weight	lbs [kg]	100 [45.5]	
Performance			
Cooling capacity at 131°F internal/ 131°F ambient (55°C/55°C)	BTU/h [W]	7155 [2095]	
Cooling capacity at 95°F internal/ 95°F ambient (35°C/35°C)	BTU/h [W]	6170 [1806]	
Internal airflow by air conditioning	CFM [m ³ /h]	450 [765]	
External airflow by air conditioning	CFM [m ³ /h]	580 [985]	
Refrigerant type		R134a	
Operational temperature range	°F [°C]	-40 to 131 [-40 to 55]	
Noise, 1.5m distance	dB(A)	74	
Heater	Watts	1500	
Electrical Data			
Input voltage	Volts	115 VAC	230 VAC
Frequency	Hz	60 Hz	50/60 Hz
Max power consumption (Cooling)	Amps	10.9	5.0
Approvals			
RoHS, UL and cUL compliant	✓	SA10718	
Construction			
Material		Galvanized Steel, Stainless Steel Optional	
Finish		Textured Powder Coat Standard, Color options available by request	

AC 6000 COOLING CAPACITY CURVE



DIMENSIONAL DIAGRAM-MOUNTING INTERFACE



Subject to change without notice
09 2015